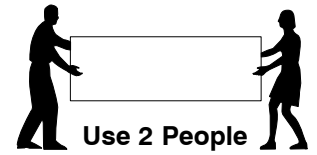
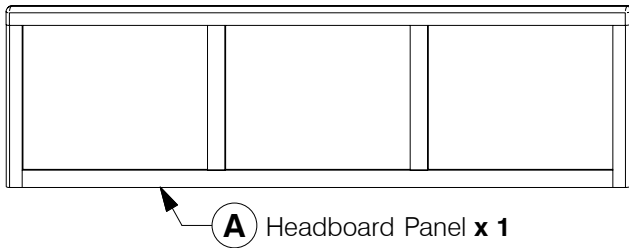


King Headboard

Assembly Instructions

0818

1 Parts List



2 Hardware List



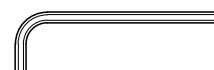
1 M6 x 35mm JCB
x 4



2 Spring Washer
x 4



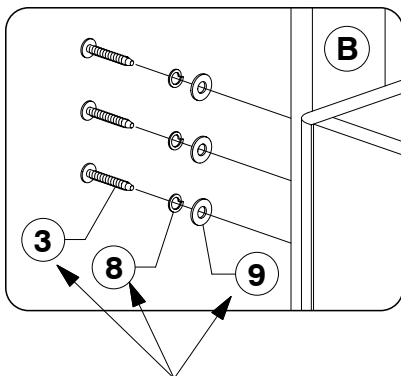
3 Flat Washer
x 4



4 Allen Key
x 1

Note: Do not assemble using power tools. This can cause the bolts to be overtightened

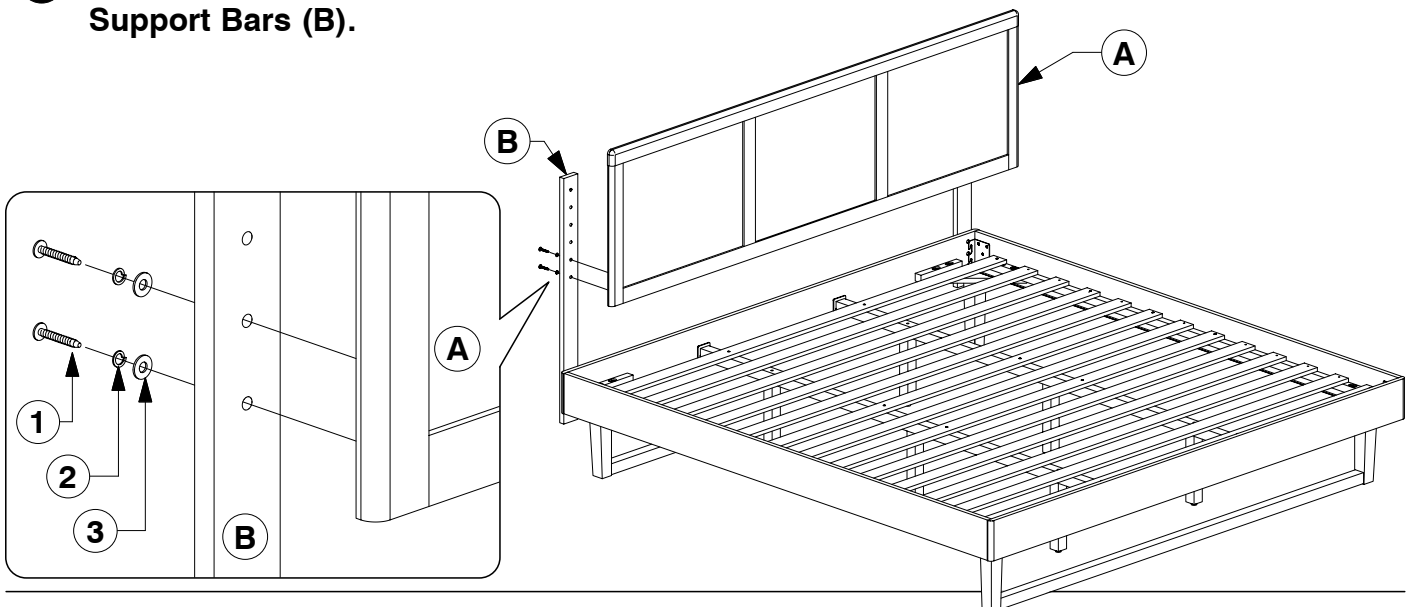
3 Assemble the Support Bars (B) to the Headboard Panel.



Note: Bolts & Washers from Footboard, Rails & Slats Box.

✓ Footboard, Rails & Slats are packed in separate Boxes with Bolts.

4 Assemble the Headboard Panel (A) to the Support Bars (B).

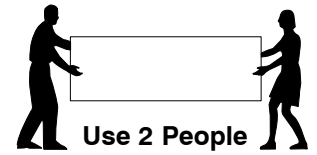


King Bed

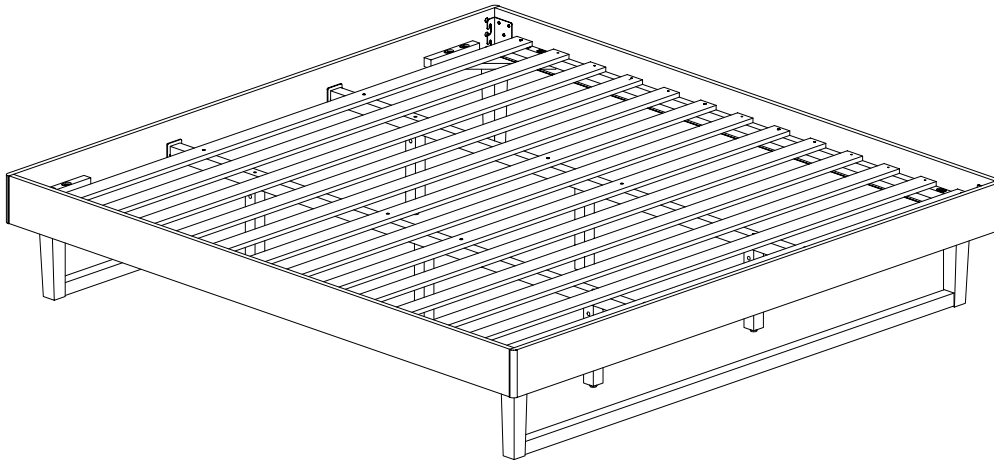
Assembly Instructions

0818

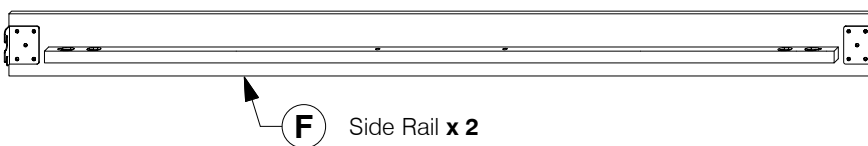
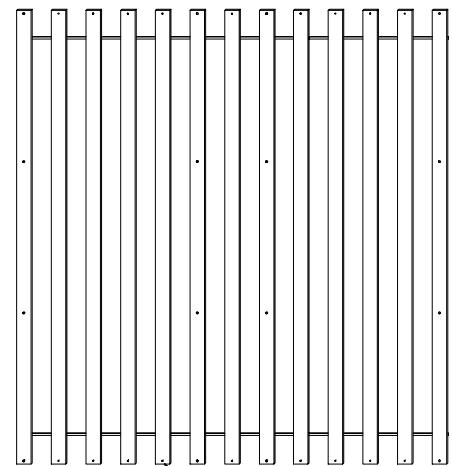
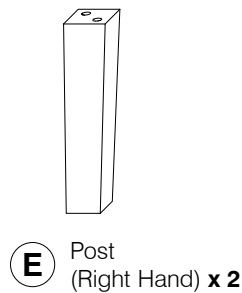
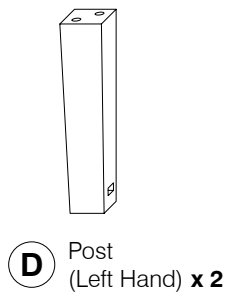
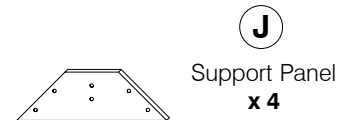
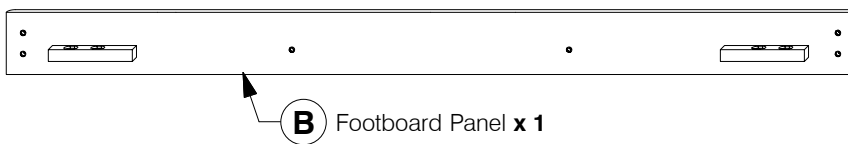
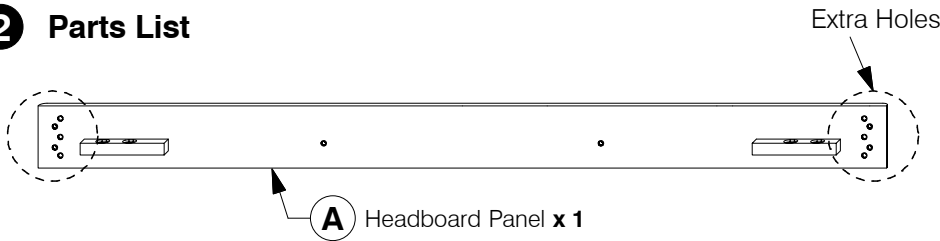
1 Assembled View



Note: Do not assemble using power tools. This can cause the bolts to be overtightened



2 Parts List

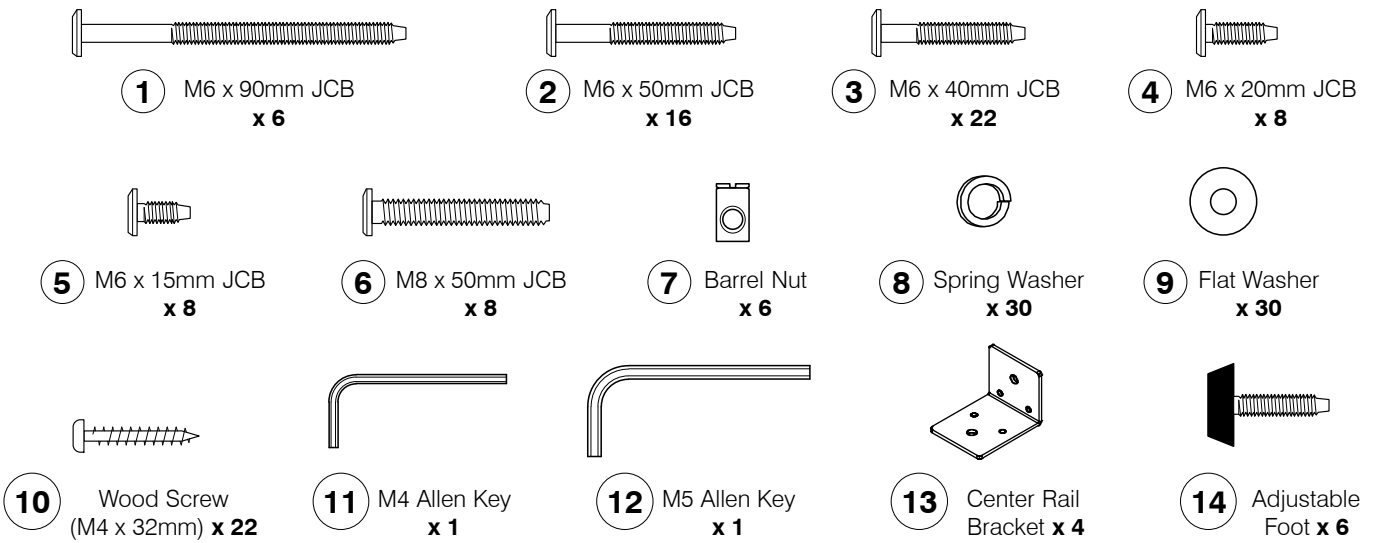


King Bed

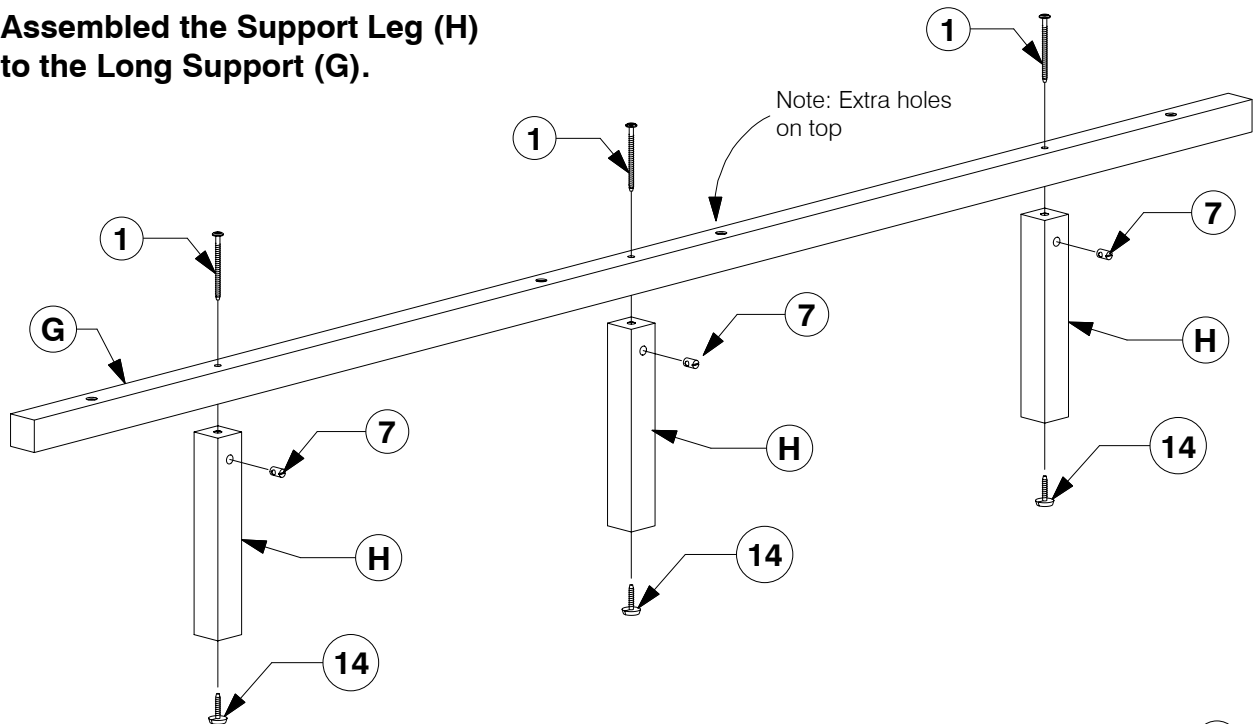
Assembly Instructions

0818

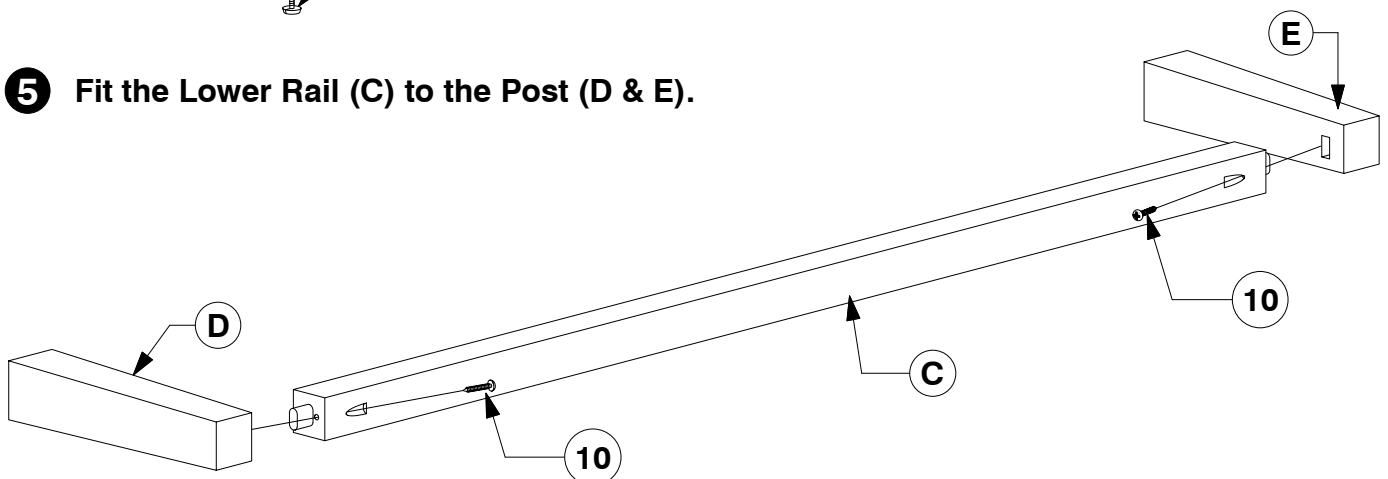
2 Hardware List



4 Assembled the Support Leg (H) to the Long Support (G).



5 Fit the Lower Rail (C) to the Post (D & E).

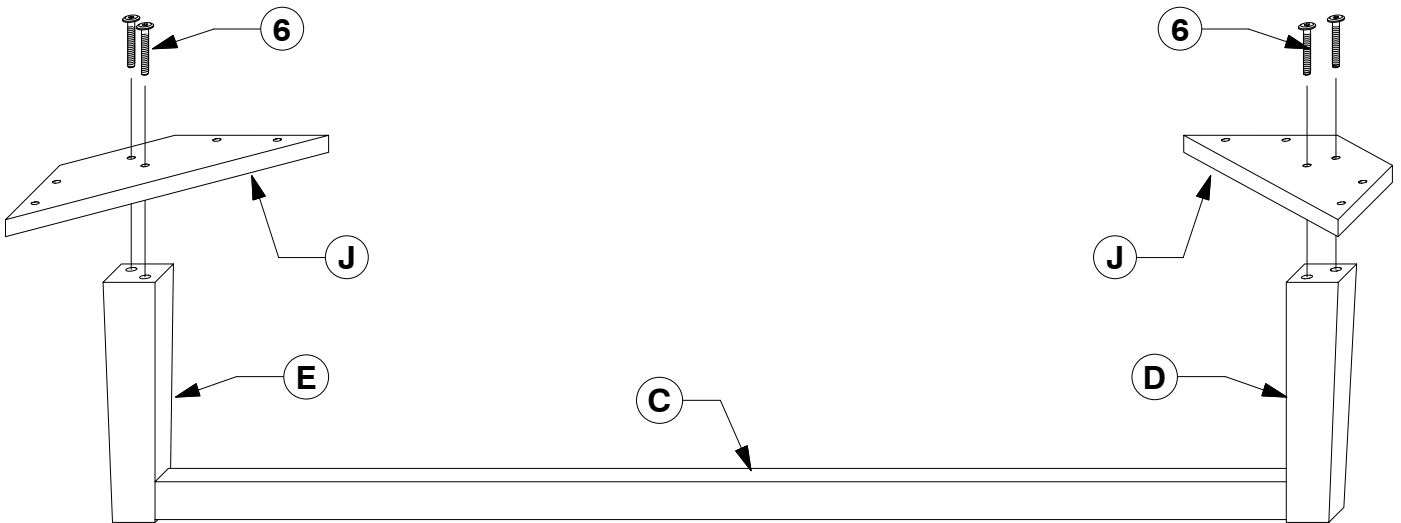


King Bed

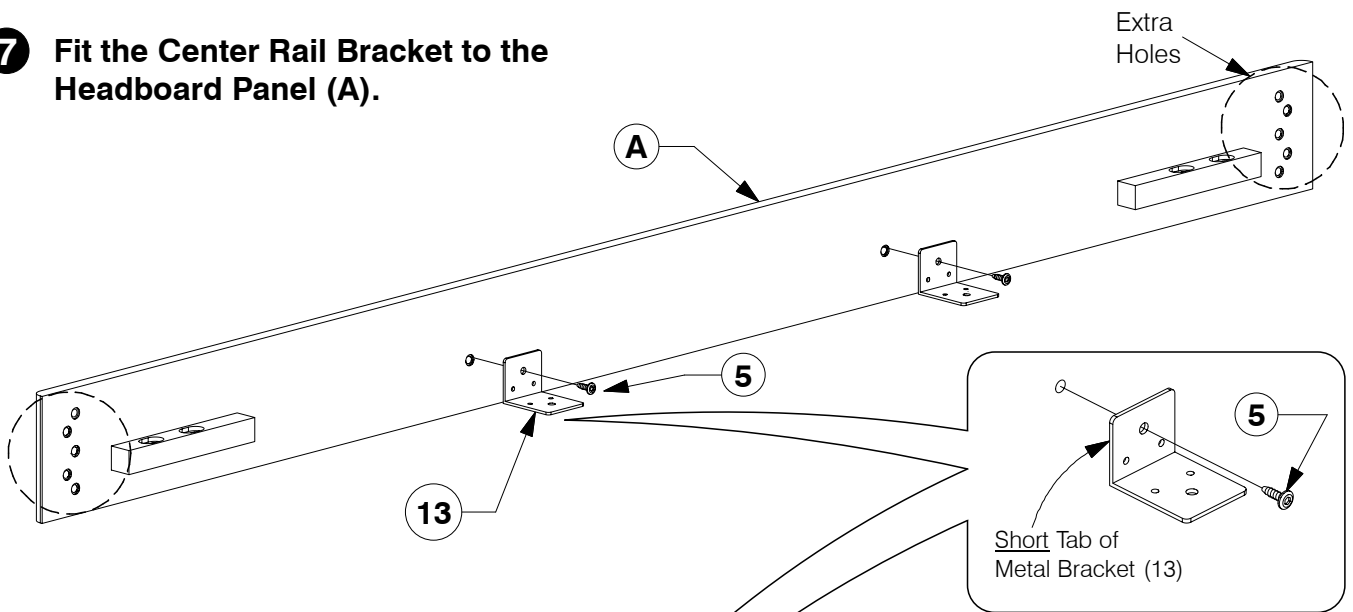
Assembly Instructions

0818

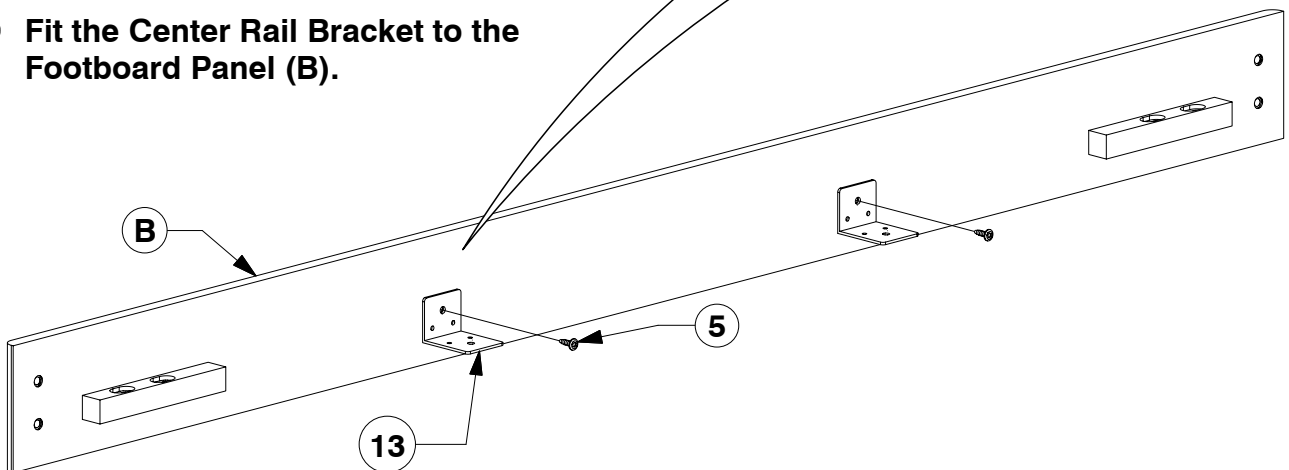
- 6 Assemble the assembled Post (D & E) & Lower Rail (C) to the Support Panel (J).**



- 7 Fit the Center Rail Bracket to the Headboard Panel (A).**



- 8 Fit the Center Rail Bracket to the Footboard Panel (B).**

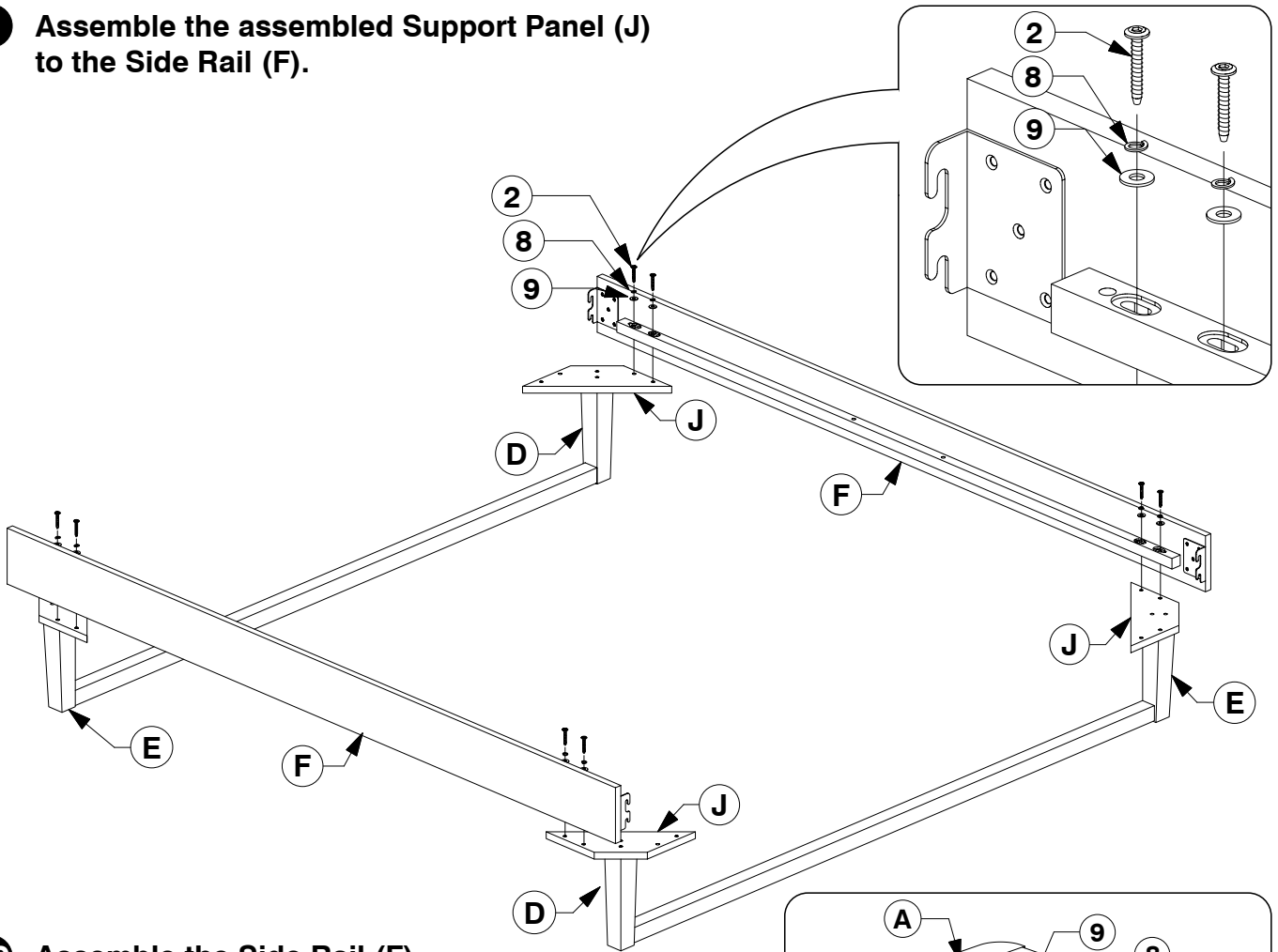


King Bed

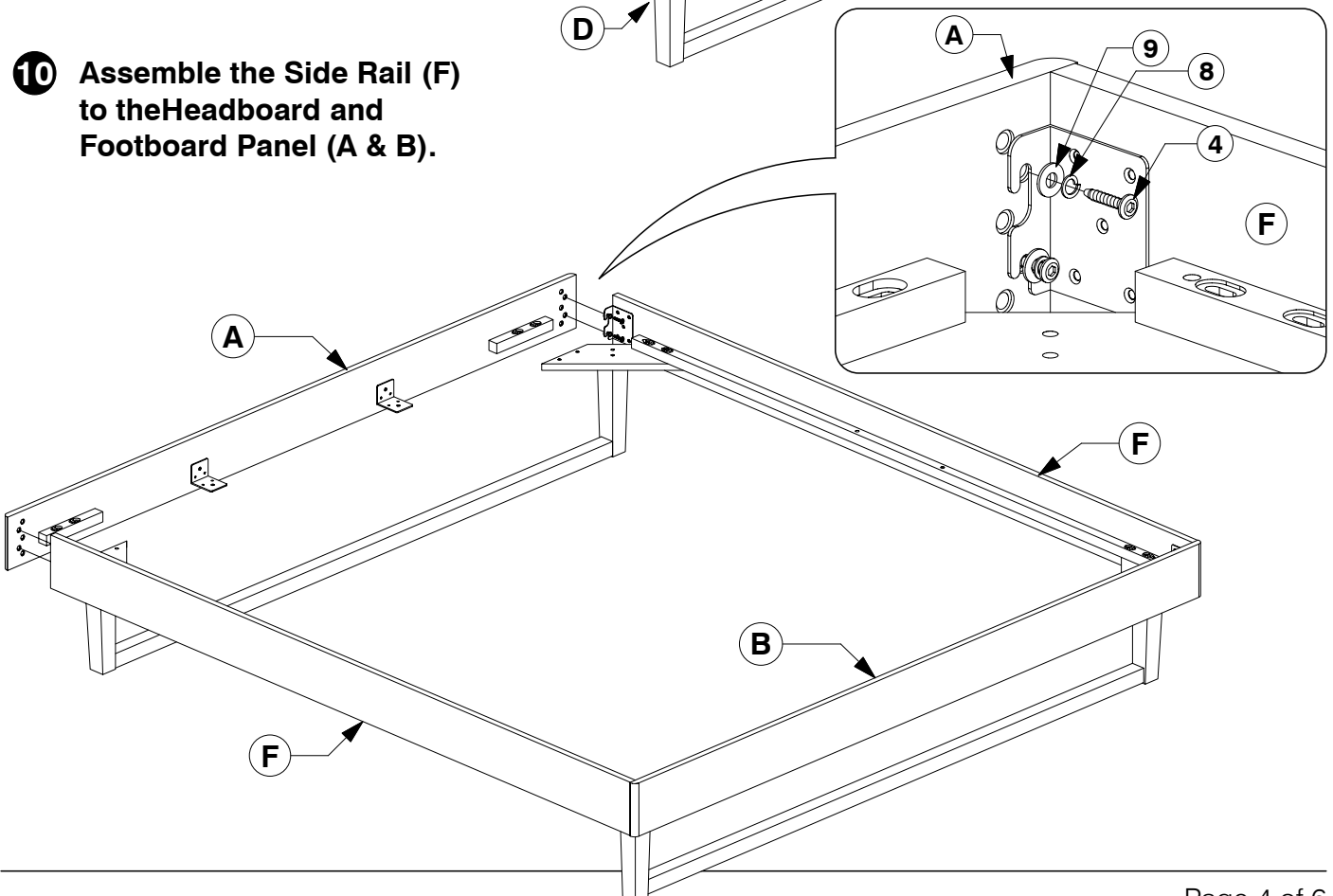
Assembly Instructions

0818

- 9** Assemble the assembled Support Panel (J) to the Side Rail (F).



- 10** Assemble the Side Rail (F) to the Headboard and Footboard Panel (A & B).

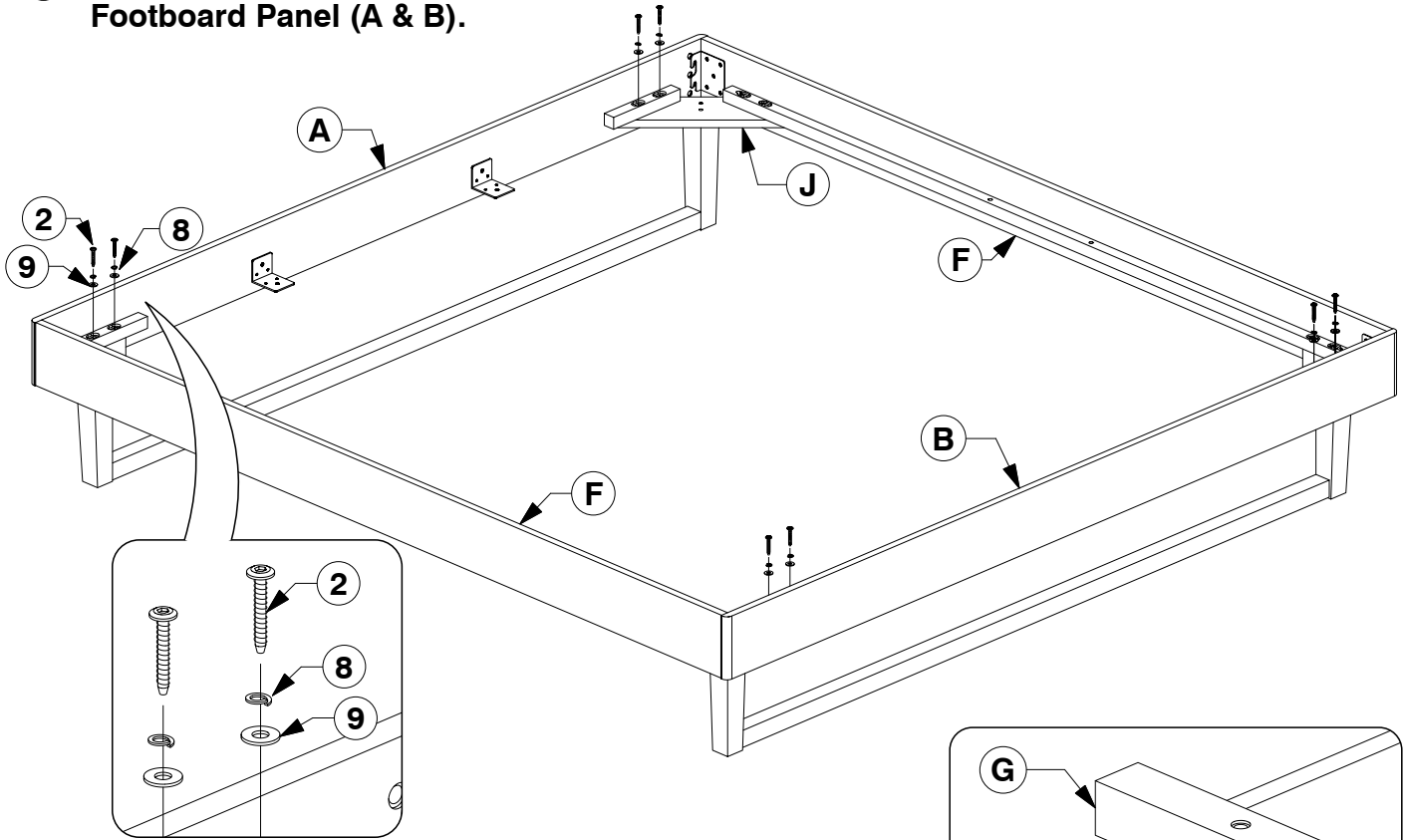


King Bed

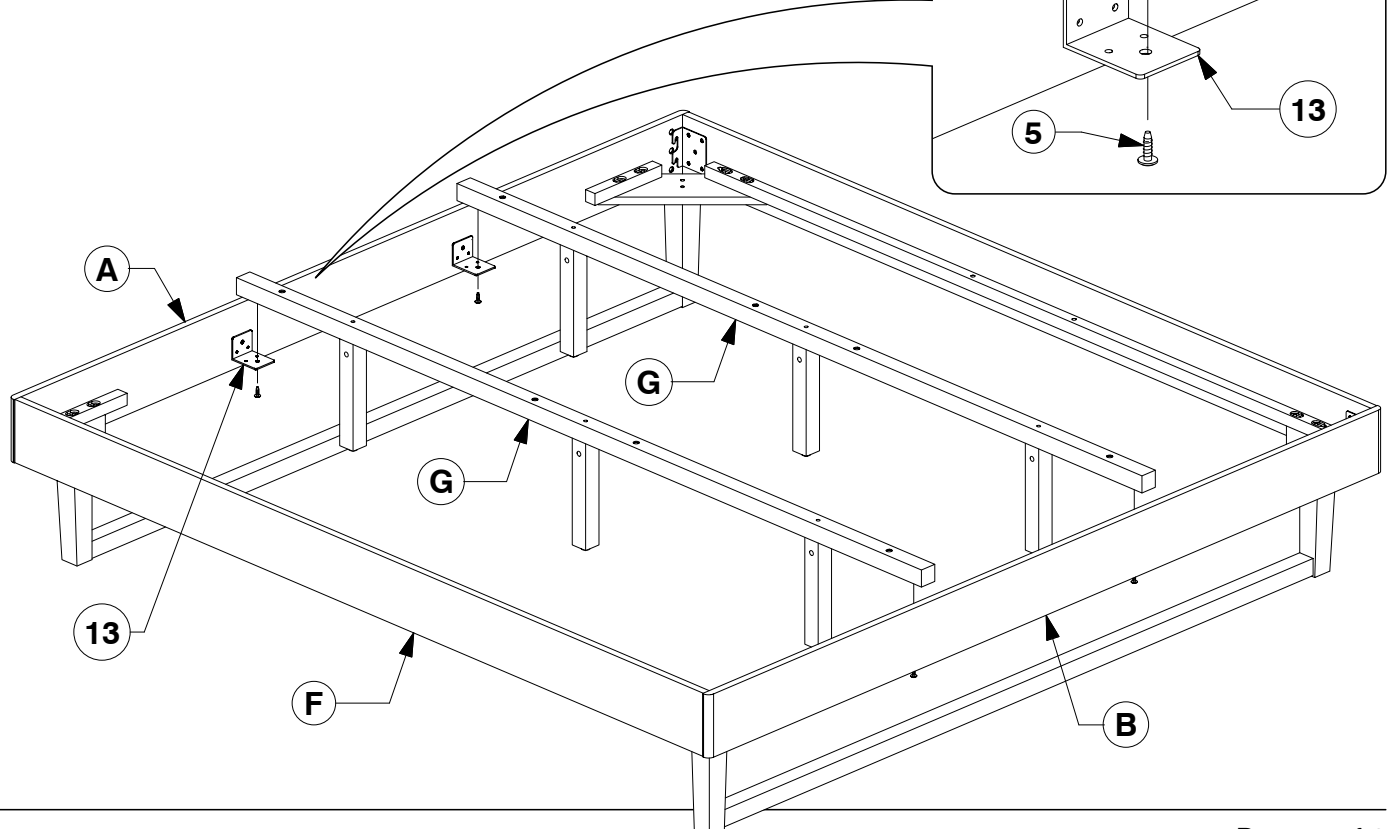
Assembly Instructions

0818

- 11** Bolt the Support Panel (J) to the Headboard and Footboard Panel (A & B).



- 12** Bolt the Long Support (G) to the Center Rail Brackets (13) on the Headboard and Footboard Panel (A & B).

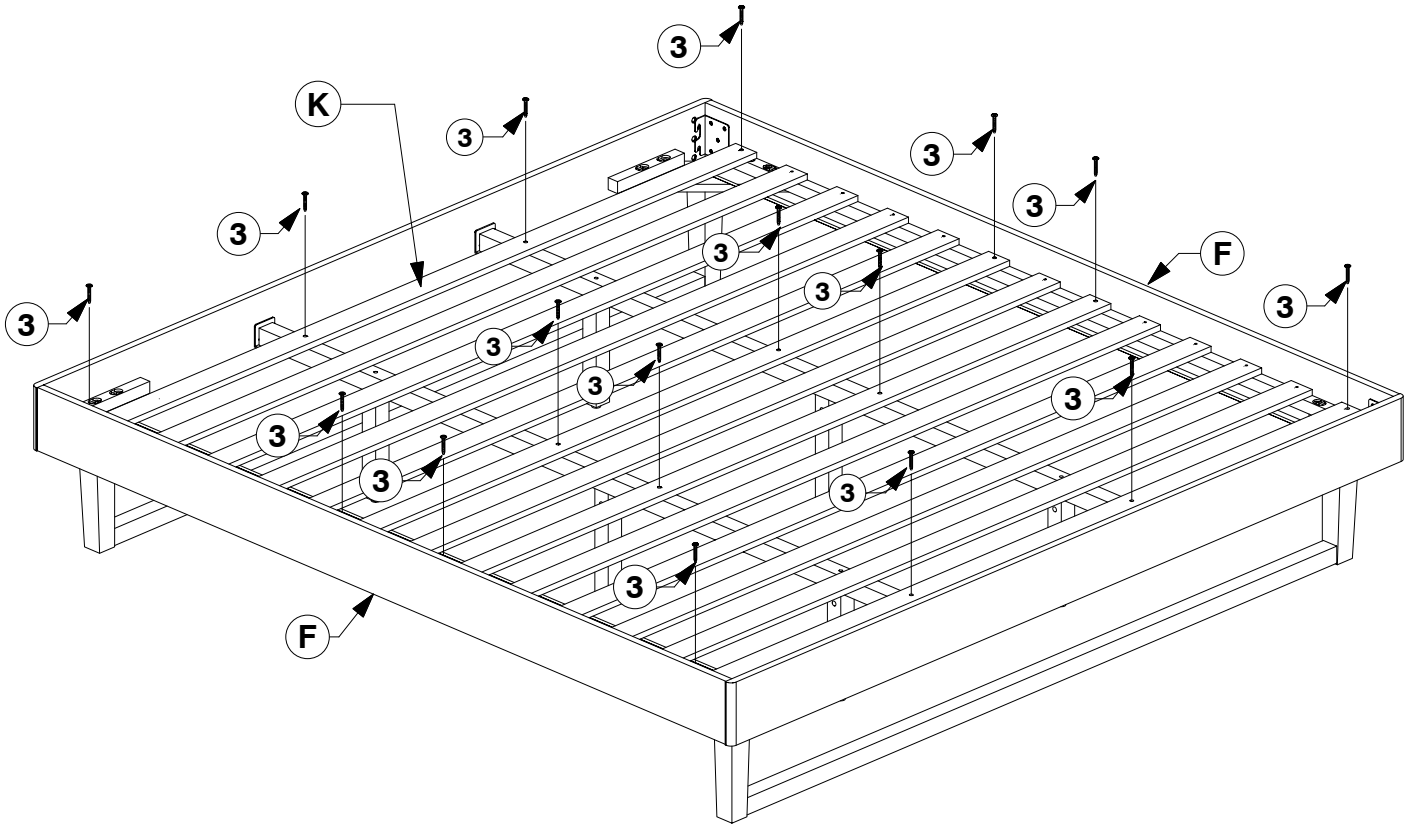


King Bed

Assembly Instructions

0818

13 Bolt the Bed Slats (K) to the Side Rail (F).



14 Screw the Bed Slats (K) to the Side Rail (F).

